

**AGP130/20 Mechanical Piston Grouting Pump**



**AGP130/20 Mechanical Piston Grouting Pump Introduction:**

AGP130/20 single piston double-acting grouting pump with gear reducer, which is a universal medium-pressure grouting pump.

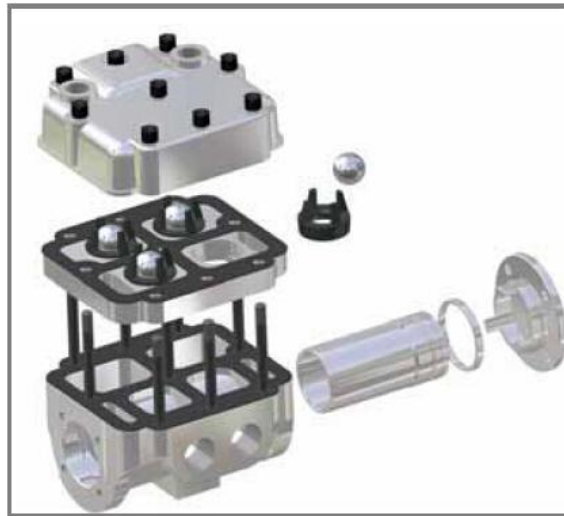
**AGP130/20 Mechanical Piston Grouting Pump Features:**

- Single piston double acting
  - Gear&vee belt transmission makes this pump high mechanical efficiency and working reliability
  - Integrated valve house and ball valve, together with compact structure.
  - Can complete double slurry grouting and single slurry grouting.
  - Compact & light weight : compact enough to go into the boot of a car.
- Body of pump: made of aluminum casting, about 2 1/2 times lighter than iron casting.  
 Powerful&Durable:discharged pressure 20kg/cm2.An ideal for almost all soil drilling operations.  
 Economical & Easy: simple design makes maintenance easy and economical  
 Maintenance: availability parts at reasonable prices

**AGP130/20 Mechanical Piston Grouting Pump Technical Data Sheet**

Type	single piston double acting with balls in valve plate
Work elements	single cylinder double action, spherical valve reversing
Clutch	Dog clutch
Output	130 L/min
Rated Working Pressure	2 Mpa (20bar/290psi)
Cylinder Dia	75 mm
Piston stroke	85 mm
Piston Speed	180 times/min
Outlet diameter	38 mm

Inlet diameter	51 mm
Motor Power	5.5Kw (Electric) 10hp (Diesel)
Transmission	V-belts + gear case
Chassis	Skid
Dimensions	1400×650×920 mm
Weight	70 kg (Bare pump), 155 kg (with skid & belt cover), 260kg (Complete with ChangChai SQD192 engine)
<b>Note: Single or Double Passageway. Skid or Tyre.</b>	

**AGP130/20 Mechanical Piston Grouting Pump head assemble:**

The information contained in this document is believed to correct but A.E.G(Wuxi) Machinery Co., Limited accepts no liability for any errors it contains, and reserves the right to alter specifications without notice. Please consult the respective machine manual for all matters related to operations and maintenance.